

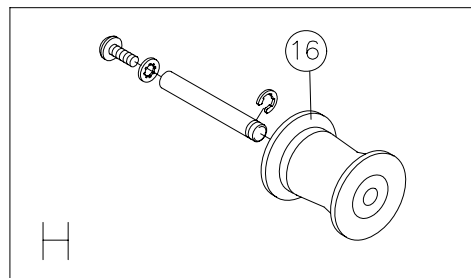
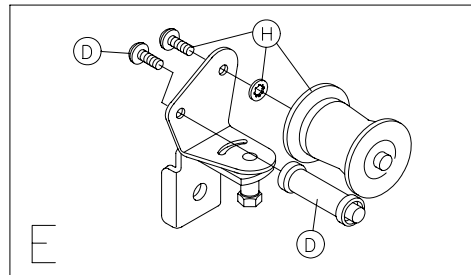
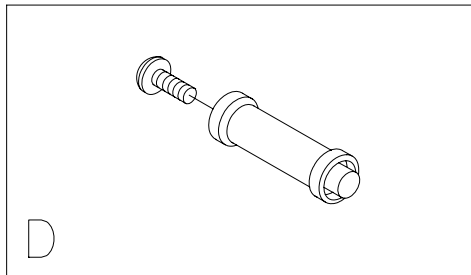
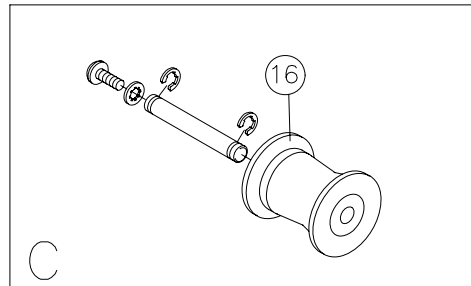
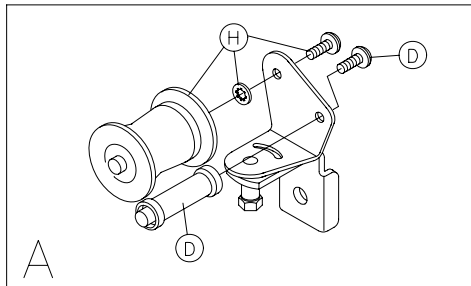
TABLE 35mm

120V (#2560) and 220V (#3444)

Parts Manual #2540

Record Make-up Table identification number here:

Model # _____ Serial # _____



COMMON PULLEY ASSEMBLIES

- A) 4290 Transfer Arm Swivel Assy.-Left
- C) 2612 Shaft #6 & Pulley w/Steel Brgs. 35mm
- D) 2602 Keeper Shaft & Spool Assy.
- E) 4291 Transfer Arm Swivel Assy.-Right
- H) 2686 Shaft #5 & Pulley w/Steel Brgs. 35mm
- 16) 2414 Pulley 35mm 5/16" ID (steel bearings)

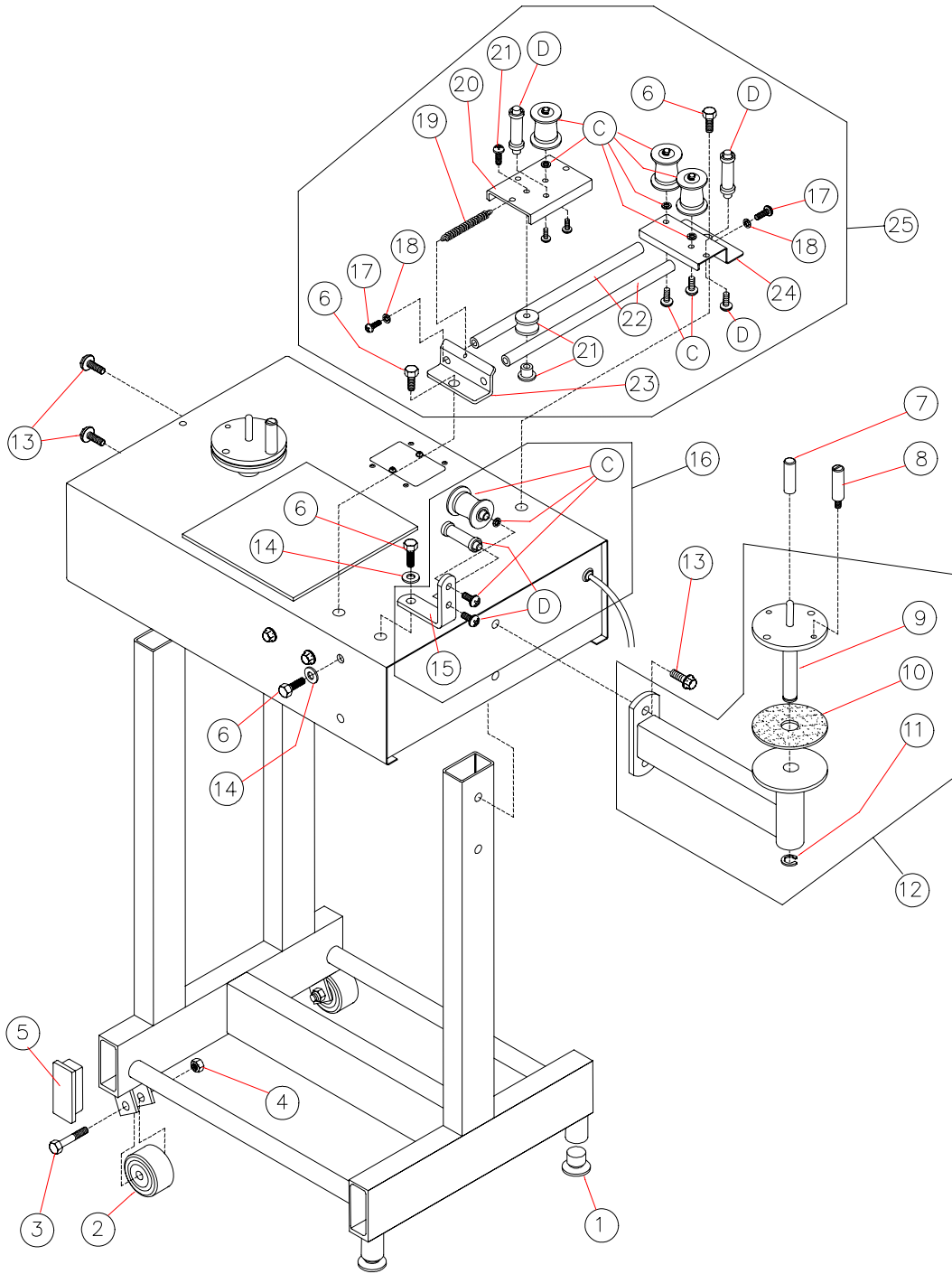


TABLE TOP PARTS 120V AND 220V TABLES

TABLE TOP PARTS 120V AND 220V TABLES

- C) 2612 Shaft #6 & Pulley w/Steel Bearings 35mm
- D) 2602 Keeper Shaft & Spool Assy.
- 1) 1284 Table Glide
- 2) 1285 Table Wheel, 2"
- 3) 1746 HHCS 1/4-28 x 1-1/2"
- 4) 1088 Locknut, Nylon Insert, 1/4-28
- 5) 1178 Table Leg End Cap, 1" x 2"
- 6) 1055 HHCS 1/4-28 x 2"
- 7) 1312 Table Spindle Pin Adapter
- 8) See item 15 on 120V or 220V pages
- 9) 1534 Table Make-up Spindle Assembly
- 10) 1315 Table Felt Clutch Pad
- 11) 1316 Snap Ring, Outside 3/4"
- 12) 1334 Table Make-up Arm Assembly
- 13) 2367 HWHC 1/4-28 x 5/8"
- 14) 1076 Flatwasher, 1/4"
- 15) 1302 Pulley Bracket-Table
- 16) 1974 Table Pulley Bracket Assembly
- 17) 1071 Screw, PTH 10-32 x 3/8"
- 18) 1078 Lockwasher, #10-Internal Tooth
- 19) 1300 Spring, Extension 7/16 x 4"
- 20) 1299 Table Tensioner Carrier Plate
- 21) 2629 Take-up Slide Shaft & Roller Assembly
- 22) 1298 Table Tensioner Rail
- 23) 1301 Table Tensioner Lower Bracket
- 24) 1297 Table Tensioner Upper Bracket
- 25) 1557 Table Tensioner Assembly

IMPORTANT: SAFETY DECALS HAVE BEEN INSTALLED FOR YOUR SAFETY AND THE SAFETY OF OTHERS. IF DECALS BECOME UNREADABLE, REPLACE IMMEDIATELY.

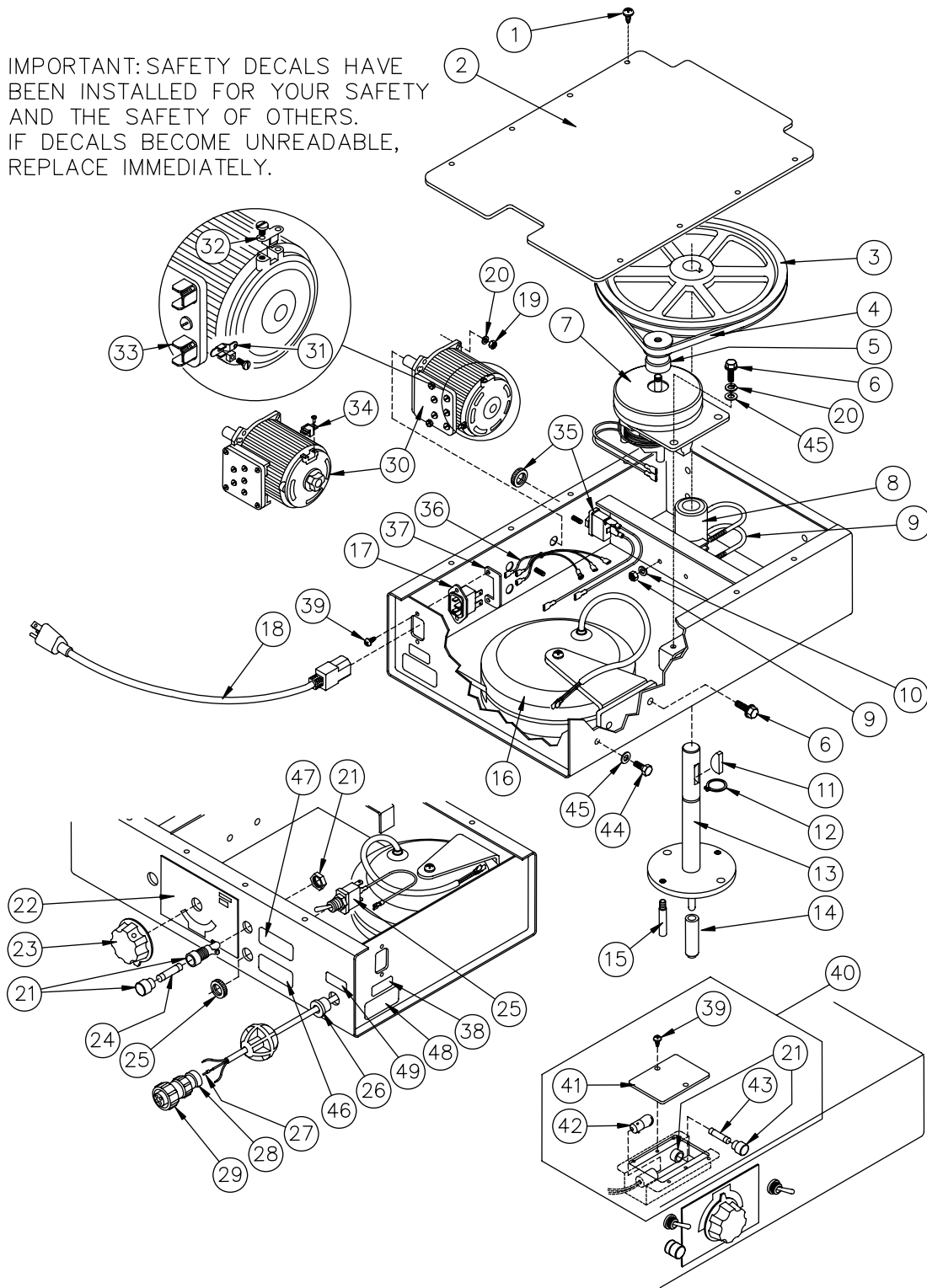


TABLE BOTTOM PARTS 120V

TABLE BOTTOM PARTS 120V

1) 1091	Screw PPH 10-24 x 3/8" Type F	26	1176	Bushing, Plastic 5/8"
2) 2328	Table Bottom Cover	27)	2063	Pin, Female
3) 1321	Table Sheave	28)	2070	Clamp, Cable #11
4) 1260	Table Drive Belt	29)	2057	Plug, 4 Pin (Std. Sex)
5) 1319	Table Drive Pulley	30)	1006	Transformer 120v Replacement Kit.
6) 2367	HWHS 1/4-20 x 5/8"	31)*	2103	Contact Asy, Variac (Staco 1010)
7) 1444	Table Motor & Mount Assembly	32)*	1005	Brush, Variac (Staco 1010)
8) 1452	Table Drive Hub Sub-Assembly	33)	6839	Fas-Tab 3 Terminal Connector
9) 1273	Table Drive Hub Clamp	34)*	4445	Brush, Variac (Powerstat 116CU)
10) 1080	Lockwasher, 5/16"-Split Ring	35	1024	Toggle Switch SPST (Solder type)
11) 1054	Key Woodruff, #9		6695	Toggle Switch SPST QC (Push-on)
12) 1316	Snap Ring, Outside 3/4"	36)	4851	Table Power Inlet Harness
13) 1512	Table Drive Spindle Assembly	37)	4836	Power Inlet Retainer
14) 1312	Table Spindle Pin Adapter	38)	4581	Decal, 120 vac
15) 1311	Table Reel Drive Pin	39)	2521	Screw, PPH #8 x 3/8" Type 25
16) 1293	Table Cable Reel	40)	6813	Table Light Housing Assembly w/connectors (Includes items 21, 39, 41, 42, & 43
17) 4374	Power Inlet, Flanged			
18) 4486	Power Cord, 18-3 120 Volt			
19) 1087	Hex Nut, 1/4-28	41)	2165	Table Light Lens
20) 1079	Lockwasher, 1/4"-Split Ring	42)	2129	Bulb, 115v Bayonet Base
21) 1009	Fuse Holder (Solder type)	43)	2338	Fuse 1.5 Amp 250v
	6697 Fuse Holder QC (Push-on)	44)	1055	HHCS 1/4-28 x 1/2"
22) 2666	Decal, Make-up Table Controls	45)	1076	Flatwasher 1/4"
23) 1289	Table Variac Knob	46)	3790	Decal, Disconnect Supply Cord
24) 2265	Fuse, 8 Amp 125v	47)	3788	Decal, Fuse Replacement
25) 2853	Toggle Switch, SPDT (Solder type)	48)	7330	Decal, Hazardous Voltage
	6696 Toggle Switch, SPDT QC (Push-on)	49)	4655	Decal, ETL

NOTE: Fuse holders and switches may be of two types, solder tabs or push-on tabs. Determine which type is used before ordering replacement parts.

* Refer to the transformer face plate for manufacturer's name and model number. Order replacement parts for the manufacturer specified. No replacement contact is required for Powerstat transformers. Transformers are interchangeable.

IMPORTANT: SAFETY DECALS HAVE BEEN INSTALLED FOR YOUR SAFETY AND THE SAFETY OF OTHERS. IF DECALS BECOME UNREADABLE, REPLACE IMMEDIATELY.

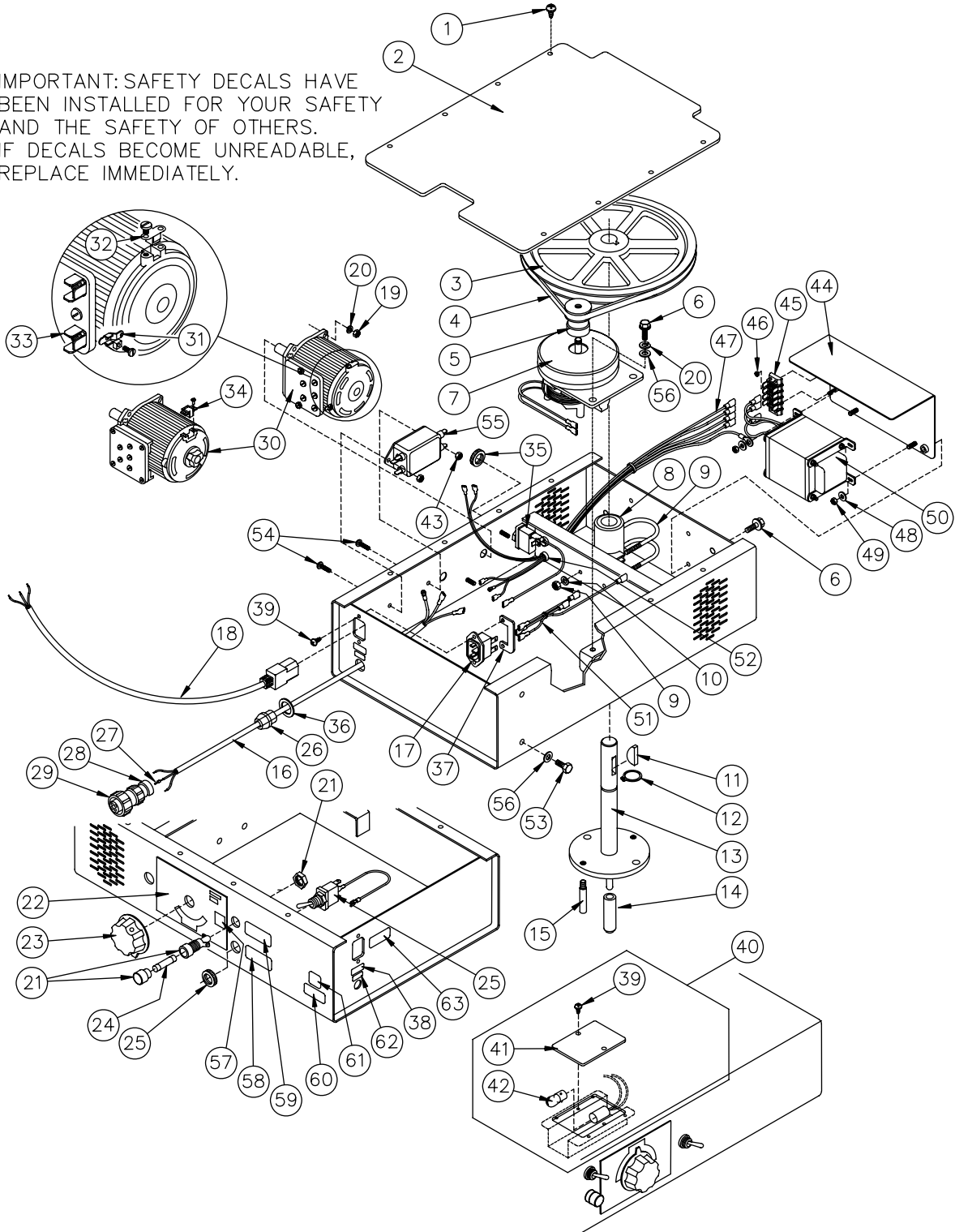


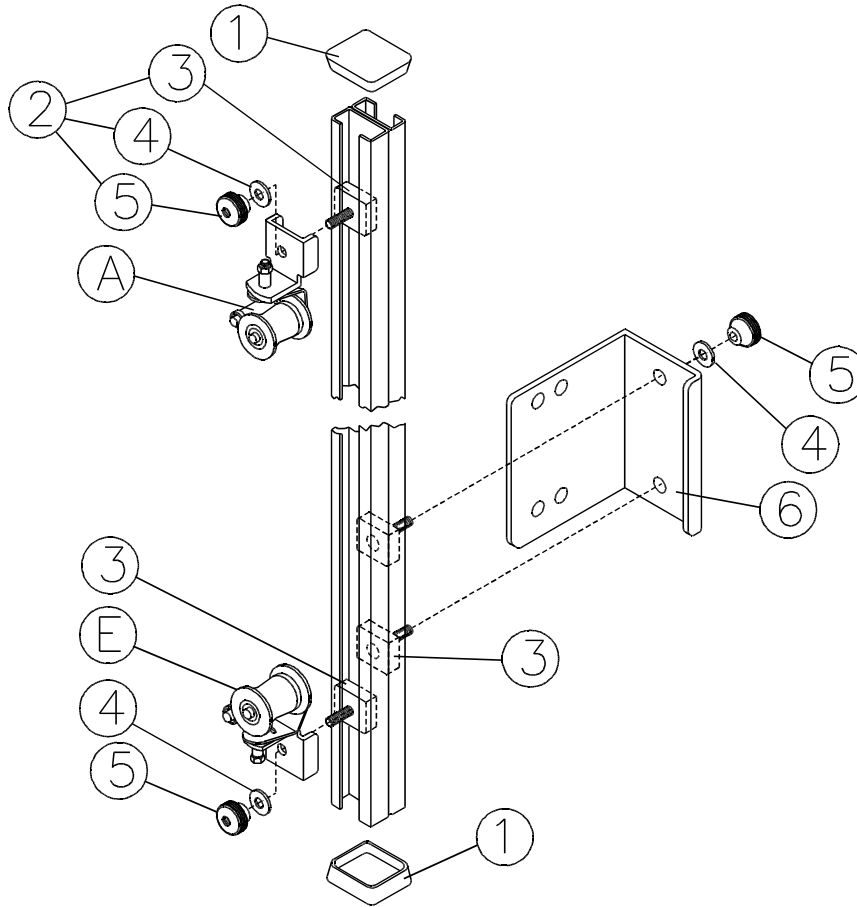
TABLE BOTTOM PARTS 220V

TABLE BOTTOM PARTS 220V

1)	1091	Screw PPH 10-24 x 3/8" Type F	32)*	1005	Brush, Variac (Staco 1010)
2)	2328	Table Bottom Cover	33)	6839	Fas-Tab 3 Terminal Connector
3)	1321	Table Sheave	34)*	4445	Brush, Variac (Powerstat 116CU)
4)	1260	Table Drive Belt	35)	1024	Toggle Switch SPST (Solder type)
5)	1319	Table Drive Pulley		6695	Toggle Switch SPST QC (Push-on)
6)	2367	HWHS 1/4-20 x 5/8"	36)	1763	Back-up Washer
7)	1444	Table Motor & Mount Assembly	37)	4836	Power Inlet Retainer
8)	1452	Table Drive Hub Sub-Assembly	38)	4582	Decal 220 vac
9)	1273	Table Drive Hub Clamp	39)	2521	Screw, PPH #8 x 3/8" Type 25
10)	1080	Lockwasher, 5/16"-Split Ring	40)	4845	Table Light Assembly 220 (includes items 39, 41 & 42)
11)	1054	Key Woodruff, #9			
12)	1316	Snap Ring, Outside 3/4"	41)	2165	Table Light Lens
13)	1512	Table Drive Spindle Assembly	42)	2129	Bulb, 115v Bayonet Base
14)	1312	Table Spindle Pin Adapter	43)	1084	Locknut Nylon Insert 6-32
15)	1311	Table Reel Drive Pin	44)	5059	Table CE Transformer Mount Plate
	3454	Table Reel Drive Pin 5MM	45)	5056	Table CE Terminal Block Assembly
	3455	Table Reel Drive Pin 6MM	46)	1032	Locknut Nylon Insert 4-40
16)	4824	Table Platter Drive Cable 220 (includes items 27, 28 & 29)	47)	5057	Table CE Transformer Harness Type 2
			48)	1075	Flatwasher #10
17)	4374	Power Inlet, Flanged	49)	2449	Locknut, Nylon Insert 10-32
18)	3734	Power Cord, 18-3 120 Volt	50)	5058	Table CE Transformer Assembly
19)	1087	Hex Nut, 1/4-28	51)	4825	Table Filter Harness CE 220
20)	1079	Lockwasher, 1/4"-Split Ring	52)	1176	Bushing Plastic 5/8"
21)	4748	Fuse Holder 5 x 20mm	53)	1055	HHCS 1/4-28 x 1/2"
22)	2666	Decal, Make-up Table Controls	54)	2182	Screw PRH 6-32 x 1/2"
23)	1289	Table Variac Knob	55)	4815	Line Filter Table 5 Amp
24)	4816	Fuse, 5 Amp 5 x 20mm	56)	1076	Flatwasher 1/4"
25)	2853	Toggle Switch, SPDT (Solder type)	57)	4829	Decal, Table Fuse CE 220
	6696	Toggle Switch, SPDT QC (Push-on)	58)	3790	Decal, Disconnect Supply Cord
26)	2391	Strain Relief 5/8 x .125	59)	3788	Decal, Fuse Replacement
27)	2063	Socket CPC	60)	4655	Decal, ETL
28)	2070	Clamp, Cable #11	61)	4657	Decal, CE 1" Square
29)	2057	Plug, 4 Pin (Std. Sex)	62)	3785	Decal, 220 VAC
30)	1006	Transformer 120v Replacement Kit.	63)	7330	Decal, Hazardous Voltage
31)*	2103	Contact Asy, Variac (Staco 1010)			

NOTE: Fuse holders and switches may be of two types, solder tabs or push-on tabs. Determine which type is used before ordering replacement parts.

* Refer to the transformer face plate for manufacturer's name and model number. Order replacement parts for the manufacturer specified. No replacement contact is required for Powerstat transformers. Transformers are interchangeable.



TRANSFER ARM ASSEMBLY 35mm, ADJUSTABLE PARTS #1810

- A) 4290 Transfer Arm Swivel Assy.-Left
- E) 4291 Transfer Arm Swivel Assy.-Right
- 1) 2697 Transfer Arm End Cap, 1 1/4" Sq. Ext.
- 2) 4313 Transfer Arm Knob Assy. (Includes Items 3, 4 & 5.)
- 3) 3958 Transfer Arm Clamp Plate Assy.
- 4) 1076 Flatwasher, 1/4"
- 5) 3937 Transfer Arm Knob
- 6) 3936 Transfer Arm Mount Bracket, 35mm