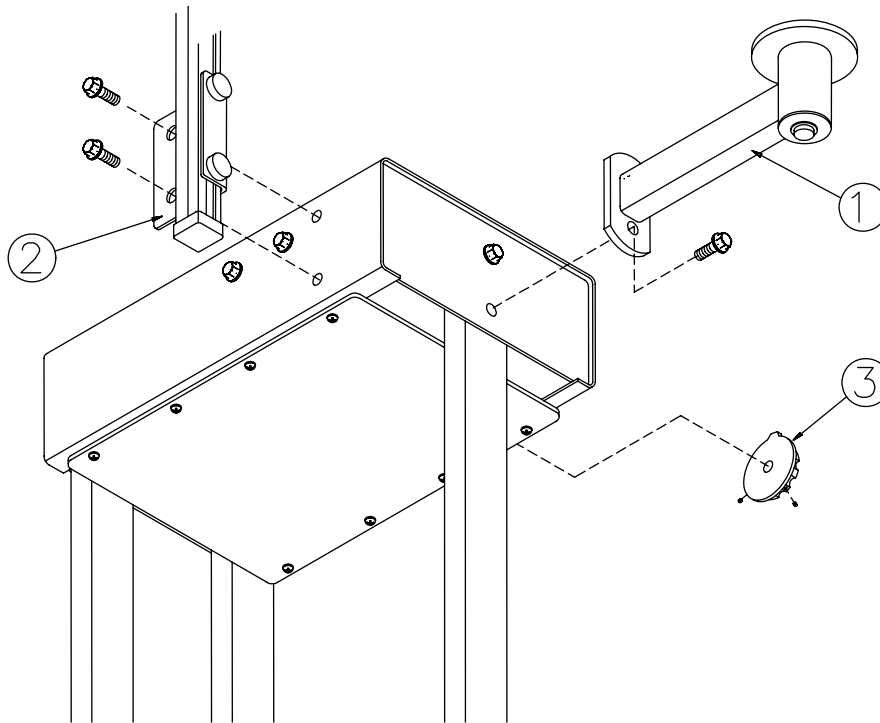


MAKE-UP TABLE INSTALLATION INSTRUCTIONS #2730

1. The make-up arm attaches to the end of the table with the single leg. To mount the make-up arm, remove the lower of the two capscrews securing the table top to the table base. Put the capscrew through the lower hole of the make-up arm and screw it back into place, leaving it loose enough so that the make-up arm can be pivoted. Remove the upper capscrew, pivot the make-up arm into place, then replace the capscrews. Tighten both capscrews.
2. Attach the transfer arm to the backside of the make-up table using the two capscrews located near the corner.
3. Attach the speed control knob on the variac and secure with the two setscrews recessed into the knob.



4. Connect the power supply to a grounded 120V or 220V electrical outlet as required.



WARNING

Risk of Electrical Shock! Connect to a properly grounded electrical outlet only!

GROUNDING INSTRUCTIONS



WARNING

THIS PRODUCT MUST BE GROUNDED WHILE IN USE TO PROTECT THE OPERATOR FROM ELECTRIC SHOCK!

In the event of a malfunction, grounding provides the path of least resistance for electric current to reduce the risk of electric shock. This product is equipped with an electrical cord that has a grounding conductor and a grounding plug. The plug **MUST** be plugged into a matching electrical receptacle that is properly installed and grounded in accordance with **ALL** local codes and ordinances.



DANGER

DO NOT MODIFY THE PLUG PROVIDED.

If it will not fit the electrical receptacle, have the proper receptacle installed by a qualified electrician. Improper electrical connection of the equipment-grounding conductor can result in risk of electric shock. The conductor with green insulation (with or without yellow stripes) is the equipment-grounding conductor.

DO NOT connect the equipment-grounding conductor to a live terminal if repair or replacement of the electric cord or plug is necessary.

Check with a qualified electrician or service personnel if you do not completely understand the grounding instructions, or if you are not sure the equipment is properly grounded.

USE ONLY A 3-WIRE EXTENSION CORD THAT HAS A 3-PRONG GROUNDING PLUG AND A 3-POLE RECEPTACLE THAT ACCEPTS THE POWER SUPPLY CORD'S PLUG. REPLACE A DAMAGED OR WORN CORD IMMEDIATELY.

This product is intended for use on a circuit that has an electrical receptacle with a grounding conductor as shown in Figure 1. If a properly grounded electrical receptacle is not available, an adapter (see Figure 2) can be used to **temporarily** connect this plug to a 2-contact ungrounded receptacle. The adapter has a rigid lug extending from it that **MUST** be connected to a permanent earth ground, such as a properly grounded receptacle box.

THIS ADAPTER IS PROHIBITED IN CANADA.



WARNING

In all cases, make certain the electrical receptacle is properly grounded. If you are not sure, have a certified electrician check the electrical receptacle.

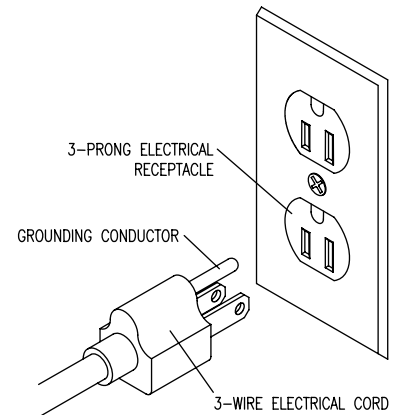


Figure 1

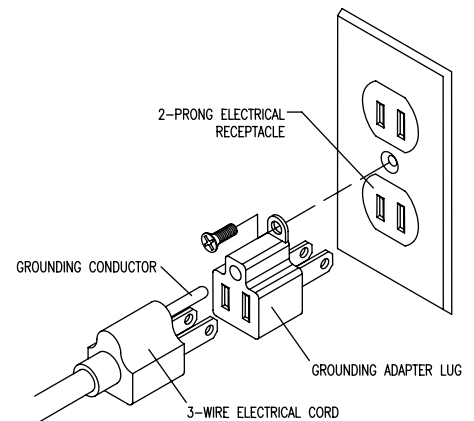


Figure 2