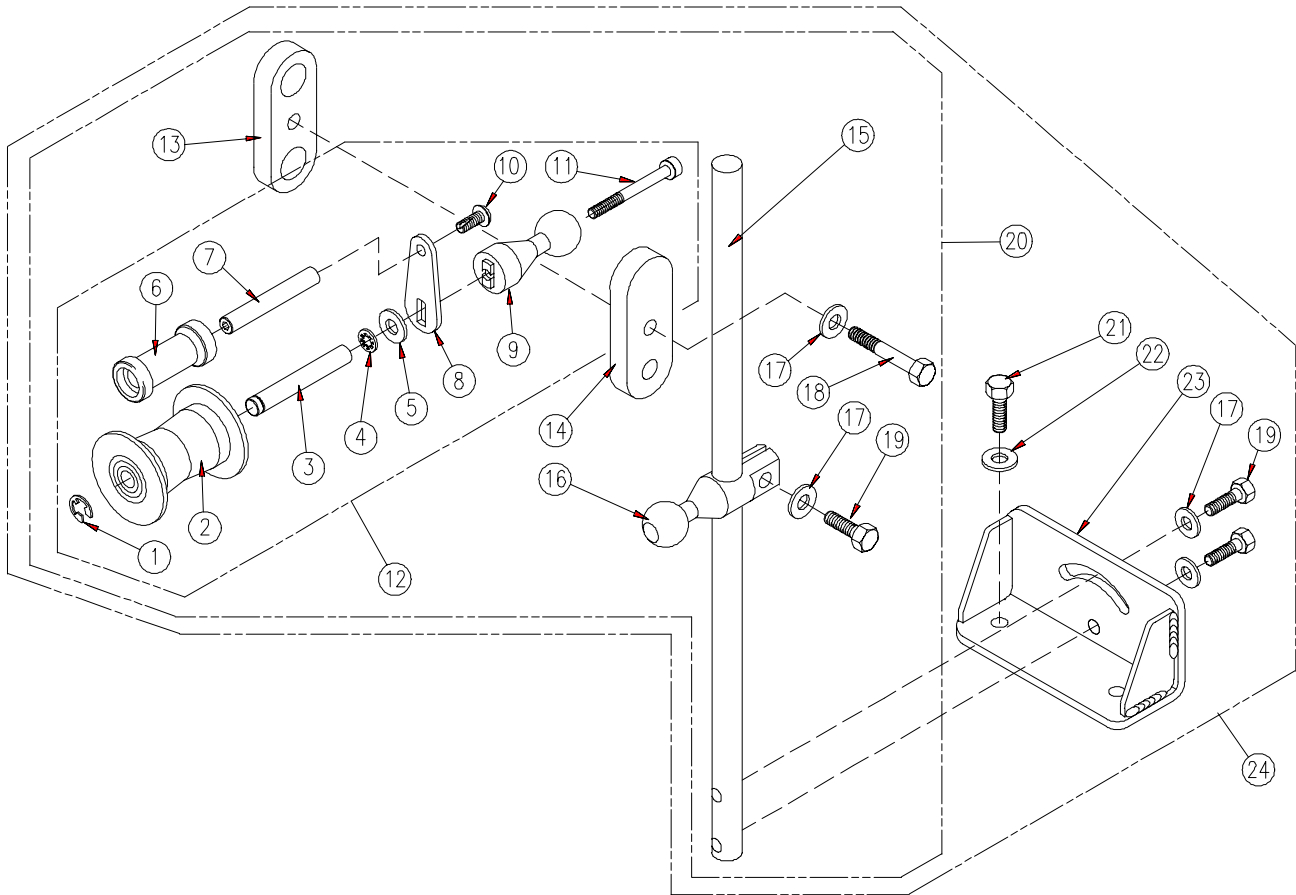
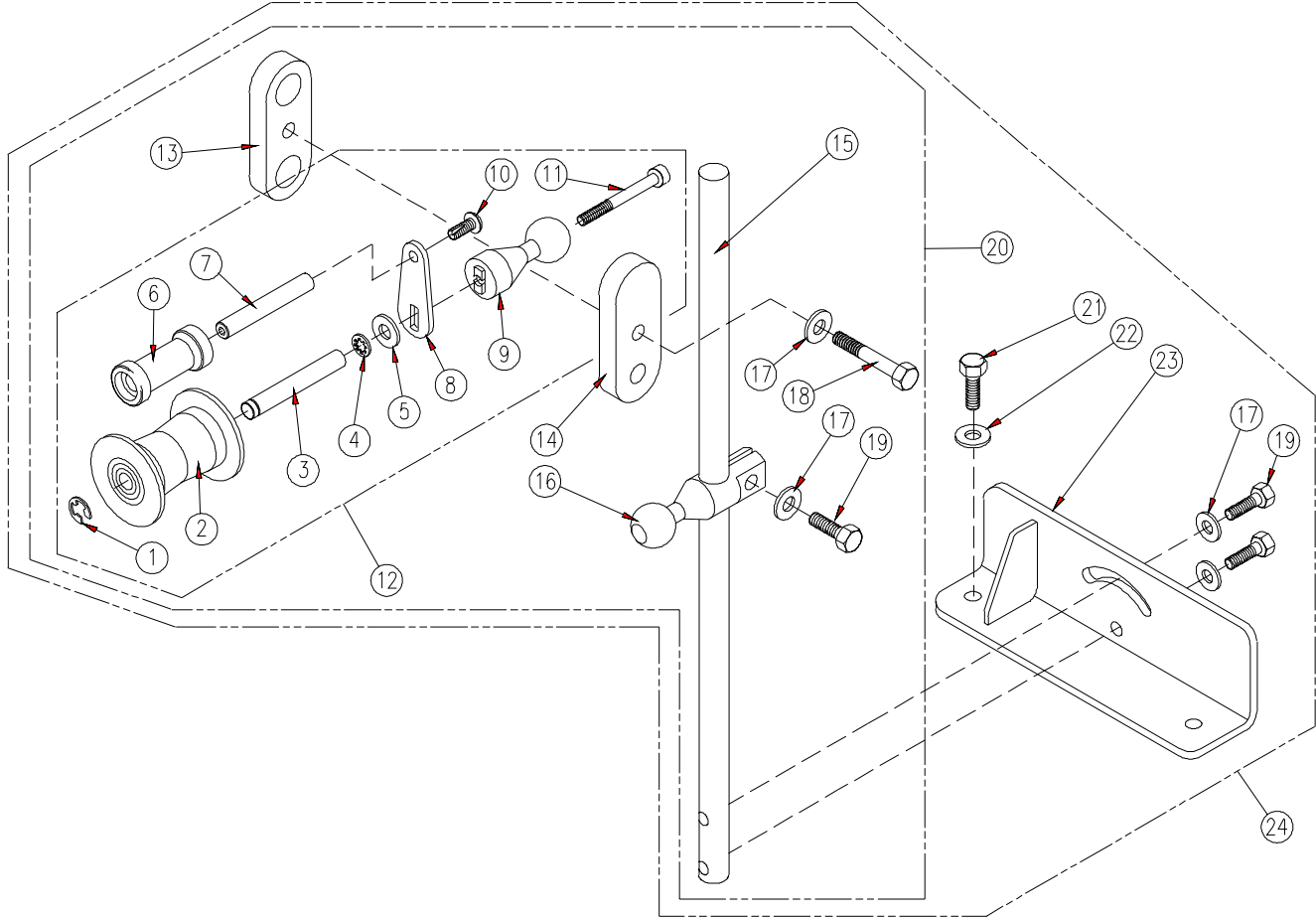


Reel Arm, Upper 35MM Assembly Parts Manual #6272



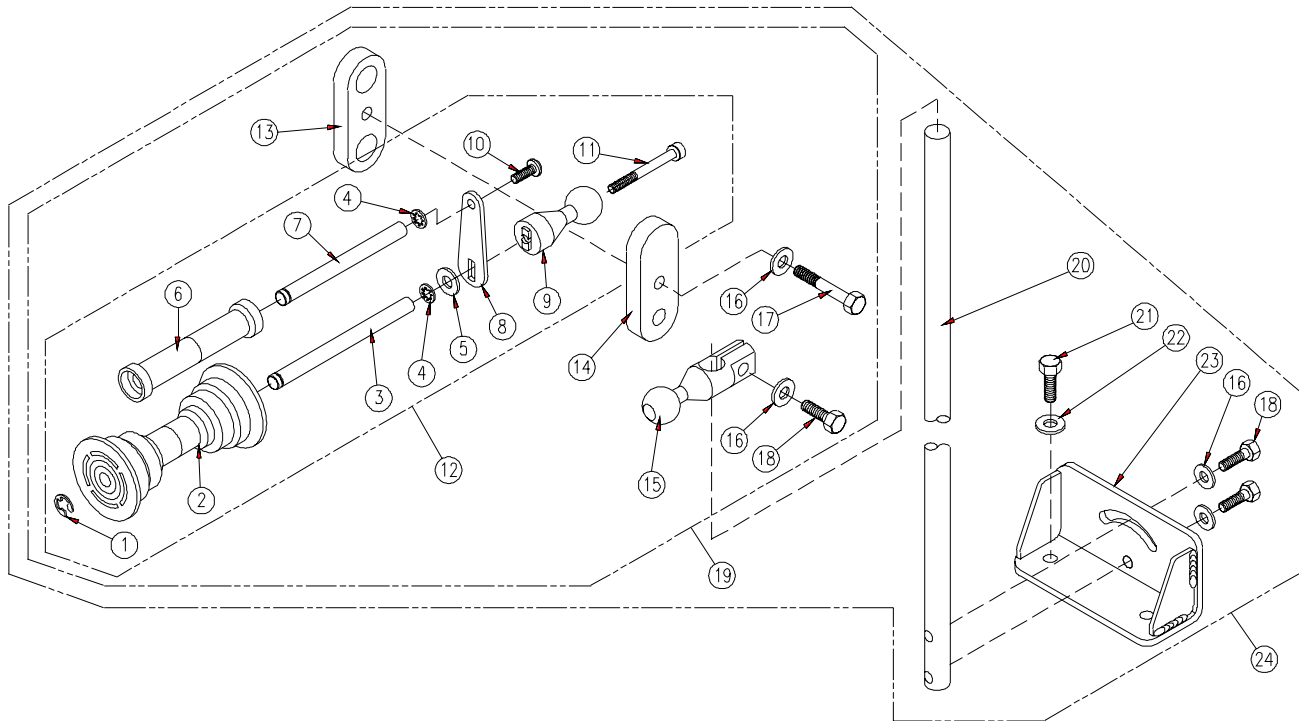
1	1050	E-Ring 5/16"	1 used	13	4892	Reel Arm Link Plate, Tapped	1 used
2	2881	Pulley 35mm 5/16" ID	1 used	14	4891	Reel Arm Link Plate, Drilled	1 used
3	1148	Pulley Shaft #5	1 used	15	4893	Reel Arm Rod	1 used
4	1078	Lockwasher #10-Internal Tooth	1 used	16	4889	Reel Arm Clamp Ball	1 used
5	1075	Flatwasher, #10	1 used	17	1076	Flatwasher, 1/4"	4 used
6	1991	Spool 35mm	1 used	18	2368	HHCS 1/4-20 x 1 1/4"	1 used
7	1992	Spool Keeper Shaft	1 used	19	5004	HHCS 1/4-20 x 3/4"	3 used
8	4890	Reel Arm Keeper Plate	1 used	20	4896	Reel Arm Rod Assembly (Includes items 12-19)	
9	4888	Reel Arm Pulley Ball	1 used	21	4906	HHCS 3/8-16 x 5/8"	2 used
10	2318	Screw PPH #10 x 1/2", type 25	1 used	22	4907	Flatwasher, 3/8"	2 used
11	4943	SHCS 10-32 x 1 3/4"	1 used	23	5051	Reel Arm Upper Base Weldment	1 used
12	5061	Reel Arm Pulley Assembly (Includes items 1-11)		24	4856	Reel Arm Upper (Includes items 17, 19, & 20-23)	

Reel Arm, Lower 35MM Assembly Parts



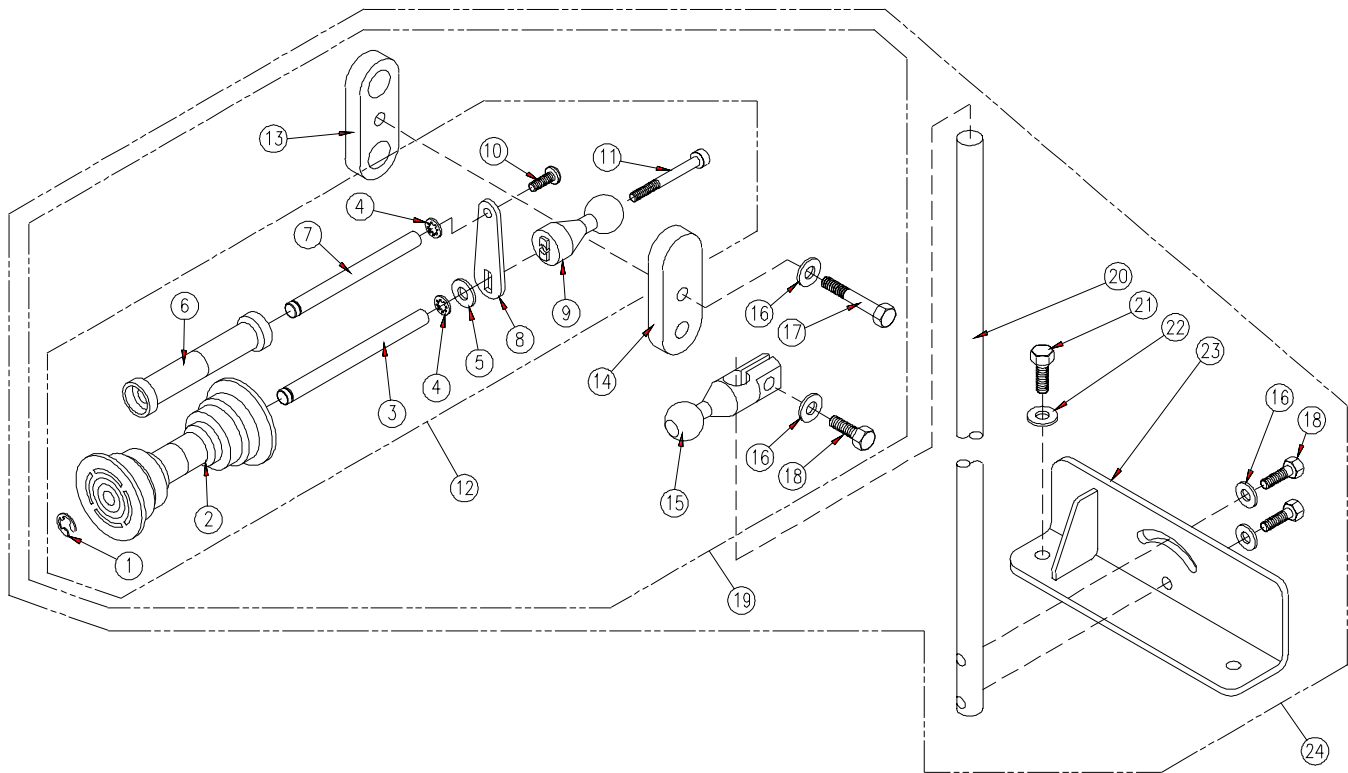
1	1050	E-Ring 5/16"	1 used	13	4892	Reel Arm Link Plate, Tapped	1 used
2	2881	Pulley 35mm 5/16" ID	1 used	14	4891	Reel Arm Link Plate, Drilled	1 used
3	1148	Pulley Shaft #5	1 used	15	4893	Reel Arm Rod	1 used
4	1078	Lockwasher #10-Internal Tooth	1 used	16	4889	Reel Arm Clamp Ball	1 used
5	1075	Flatwasher, #10	1 used	17	1076	Flatwasher, 1/4"	4 used
6	1991	Spool 35mm	1 used	18	2368	HHCS 1/4-20 x 1 1/4"	1 used
7	1992	Spool Keeper Shaft	1 used	19	5004	HHCS 1/4-20 x 3/4"	3 used
8	4890	Reel Arm Keeper Plate	1 used	20	4896	Reel Arm Rod Assembly (Includes items 12-19)	
9	4888	Reel Arm Pulley Ball	1 used	21	4906	HHCS 3/8-16 x 5/8"	2 used
10	2318	Screw PPH #10 x 1/2", type 25	1 used	22	4907	Flatwasher, 3/8"	2 used
11	4943	SHCS 10-32 x 1 3/4"	1 used	23	5052	Reel Arm Lower Base Weldment	1 used
12	5061	Reel Arm Pulley Assembly (Includes items 1-11)		24	4857	Reel Arm Lower (Includes items 17, 19, & 20-23)	

Reel Arm, Upper 70MM with 18" Rod Assembly Parts



1	1050	E-Ring 5/16"	1 used	13	4892	Reel Arm Link Plate, Tapped	1 used
2	1715	Pulley Asy 70mm 5/16" ID	1 used	14	4891	Reel Arm Link Plate, Drilled	1 used
3	3947	Pulley Shaft #5 70mm	1 used	15	4889	Reel Arm Clamp Ball	1 used
4	1078	Lockwasher #10-Internal Tooth	2 used	16	1076	Flatwasher, 1/4"	4 used
5	1075	Flatwasher, #10	1 used	17	2368	HHCS 1/4-20 x 1 1/4"	1 used
6	1491	Spool Asy 70mm	1 used	18	5004	HHCS 1/4-20 x 3/4"	3 used
7	1431	Control Plt Spool Shaft 70mm	1 used	19	5851	Reel Arm Roller Ball Asy 70mm (Includes items 12-18)	
8	4937	Reel Arm Keeper Plate 70mm	1 used	20	5212	Reel Arm Rod 18"	1 used
8	4888	Reel Arm Pulley Ball	1 used	21	4906	HHCS 3/8-16 x 5/8"	2 used
10	1071	Screw PTH #10-32 x 3/8"	1 used	22	4907	Flatwasher, 3/8"	2 used
11	4943	SHCS 10-32 x 1 3/4"	1 used	23	5051	Reel Arm Upper Base Weldment	1 used
12	5850	Reel Arm Roller Ball Assembly 70mm (Includes items 1-11)		24	5852	Reel Arm Upper 70mm w/18" Rod (Includes Items 16, 18 & 19-23)	

Reel Arm, Lower 70MM with 24" Rod Assembly Parts



1	1050	E-Ring 5/16"	1 used	13	4892	Reel Arm Link Plate, Tapped	1 used
2	1715	Pulley Asy 70mm 5/16" ID	1 used	14	4891	Reel Arm Link Plate, Drilled	1 used
3	3947	Pulley Shaft #5 70mm	1 used	15	4889	Reel Arm Clamp Ball	1 used
4	1078	Lockwasher #10-Internal Tooth	2 used	16	1076	Flatwasher, 1/4"	4 used
5	1075	Flatwasher, #10	1 used	17	2368	HHCS 1/4-20 x 1 1/4"	1 used
6	1491	Spool Asy 70mm	1 used	18	5004	HHCS 1/4-20 x 3/4"	3 used
7	1431	Control Plt Spool Shaft 70mm	1 used	19	5851	Reel Arm Roller Ball Asy 70mm (Includes items 12-18)	
8	4937	Reel Arm Keeper Plate 70mm	1 used	20	5849	Reel Arm Rod 24"	1 used
9	4888	Reel Arm Pulley Ball	1 used	21	4905	HHCS 5/16-18 x 5/8"	2 used
10	1071	Screw PTH #10-32 x 3/8"	1 used	22	1100	Flatwasher, 5/16"	2 used
11	4943	SHCS 10-32 x 1 3/4"	1 used	23	5052	Reel Arm Lower Base Weldment	1 used
12	5850	Reel Arm Roller Ball Assembly 70mm (Includes items 1-11)		24	5853	Reel Arm Lower 70mm w/24" Rod (Includes Items 16, 18 & 19-23)	