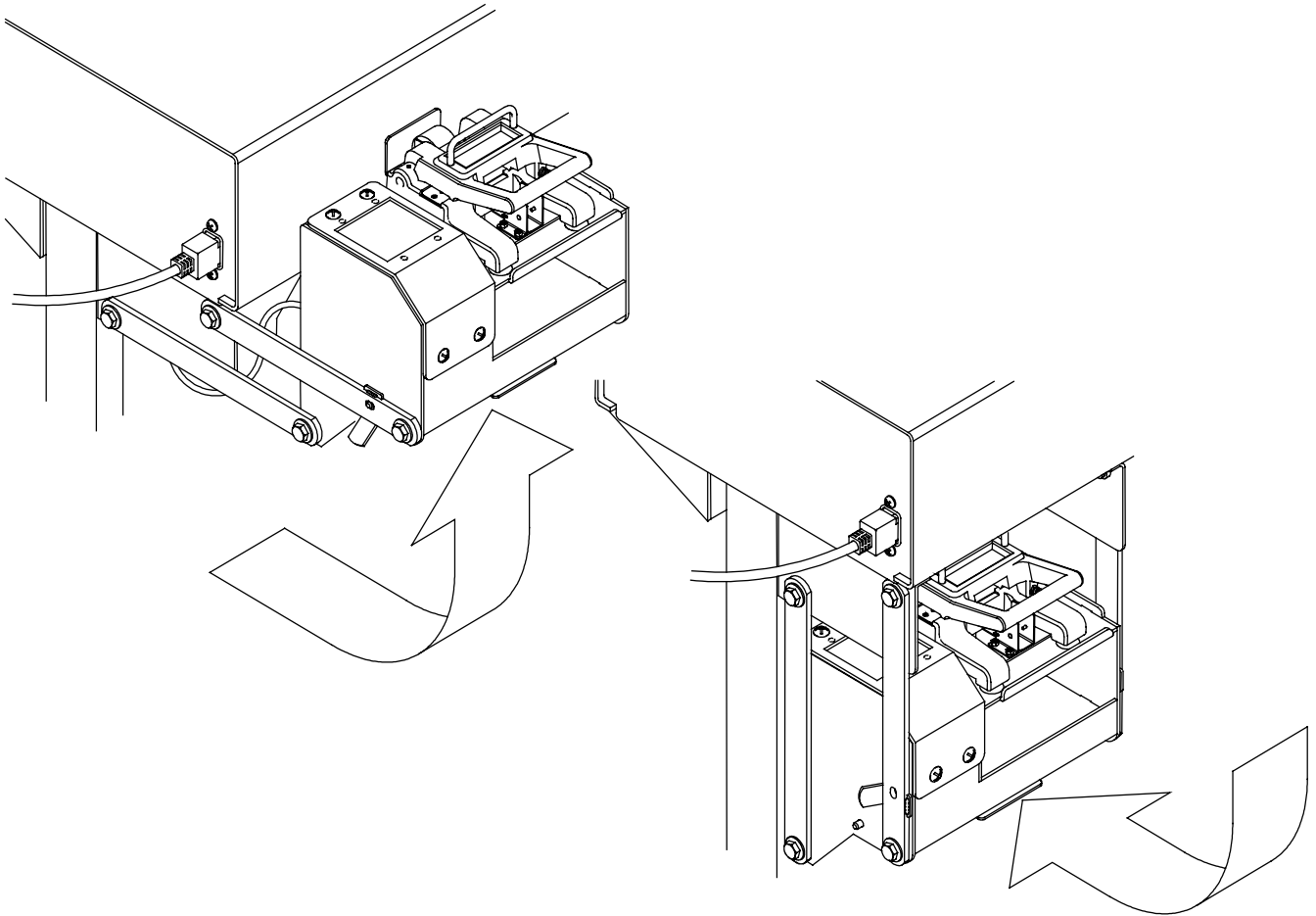


MAKE-UP TABLE SPLICER STATION

PRODUCT INFORMATION BULLETIN #7134

Increase the versatility of your make-up table by adding a convenient work station to do your film splicing. When the splicer is required, simply swing the station up into position. A frame light is located next to the splicer that has a long-life fluorescent bulb for easy frame viewing. Splicing tape and other supplies can be stored in the compartment below the splicer. When not in use the splicer can be stored by simply retracting the locking pins and lowering the station. The overall width of the table does not change with the station in the stored position.



The splicer station installs in minutes beneath the table using only a few simple hand tools. No drilling is required. Electrical connections are easy and quick. Simply splice two wires into existing light wires with quick connectors and connect one ground wire.

Order Splicer Station Retrofit 110V: Part # 7060
Order Splicer Station Retrofit 220V: Part # 7106

Manufactured in U. S. A. by Design & Manufacturing, Inc. Fisher, IL 61843
www.design-mfg.net or Phone: 217/897-1172