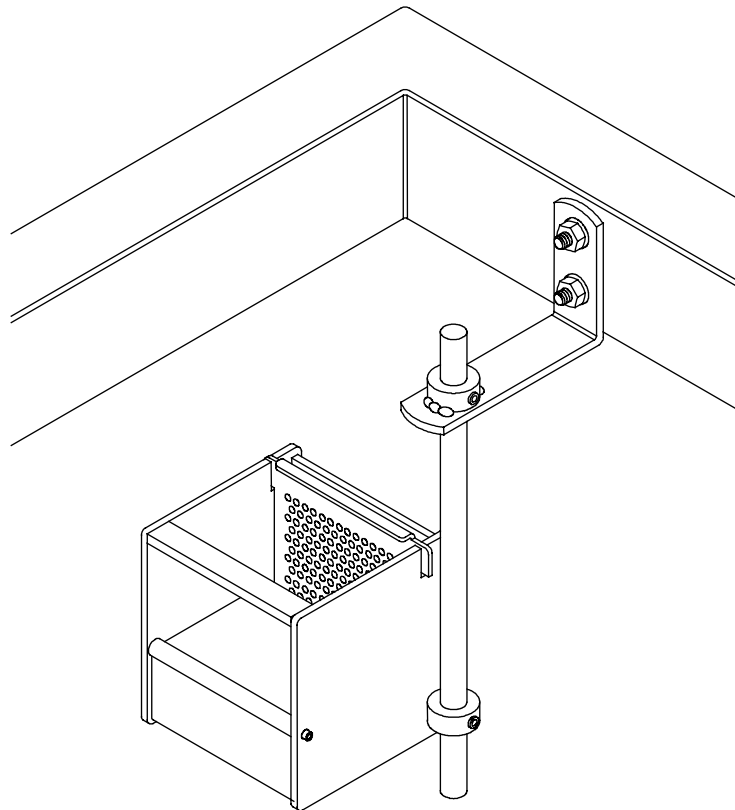
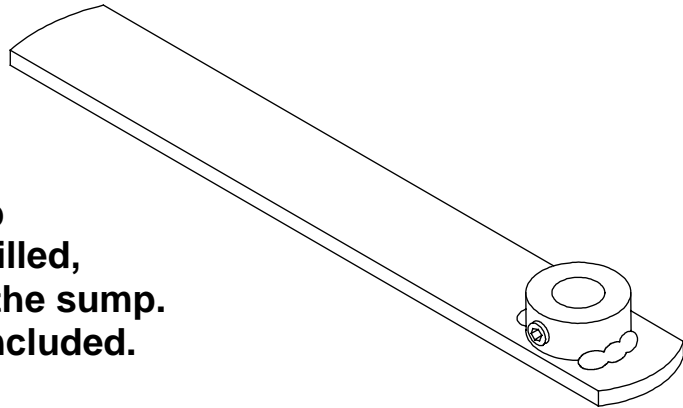


SKIMERATOR® #3259 HANGING MOUNT BRACKET

- Allows the skimmer box To be suspended from the Sump flange lip, sides or top surface. Can be bent and drilled, and fastened or clamped to the sump. Skimmer box and post not included.



Manufactured in U.S.A. by:

Design & Manufacturing, Inc.

www.design-mfg.net or phone 800/236-9496

