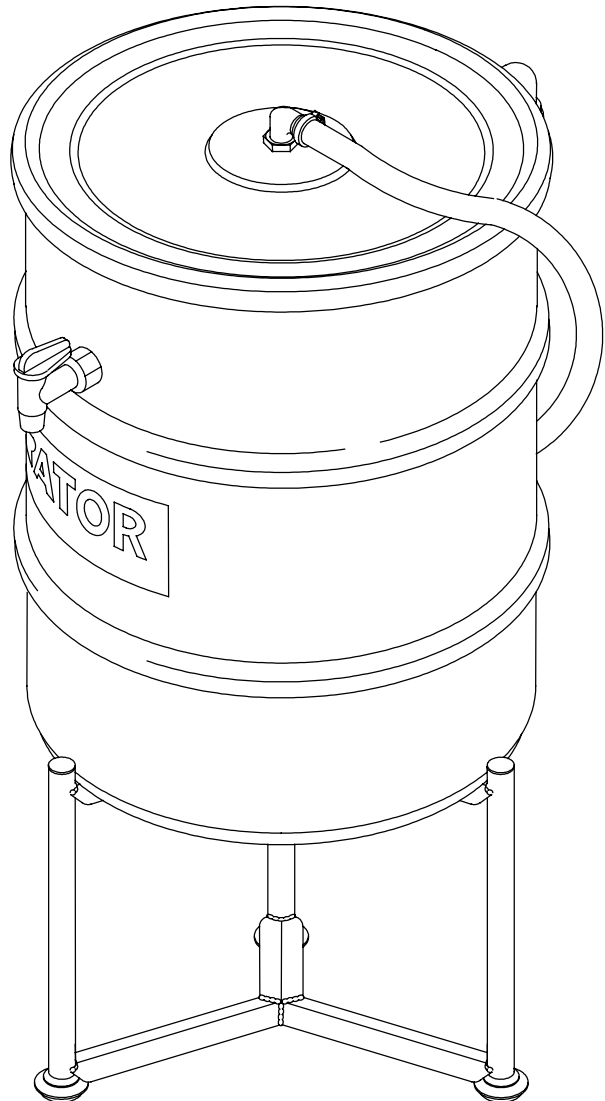


# SKIMERATOR® 12" RESERVOIR STAND

- Elevates the Skimerator reservoir to the correct height for efficient coolant return and aeration.
- Rugged one-piece construction with a durable powder coat finish.
- Order part #4599.



Manufactured in U.S.A. by:

**Design & Manufacturing, Inc.**

[www.design-mfg.net](http://www.design-mfg.net) or phone 800/236-9496

