

SKIMMER SCREEN OPTION

PRODUCT INFORMATION BULLETIN #6692

INSTALLATION

The optional skimmer screen will increase the filtering area and prevent large chips from entering the skimmer box. The skimmer screen can be used on any shallow draft skimmer box except the floating skimmer box.

Installation is simply a matter of installing the screen over the box (see Fig. 1) so the three pins on the underside of the solid panel straddle the crossbar at the front of the box.

Clean the external screen and the skimmer box screen frequently for optimum performance.

**Order #
6698**

**Use with Models:
3200
3200W
3717**

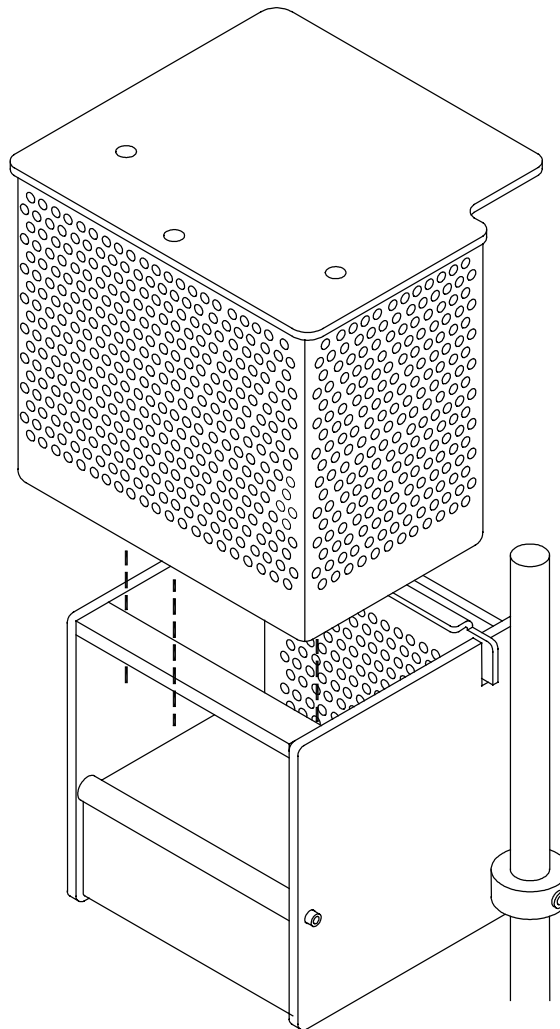


Figure 1

Manufactured in U.S.A by Design & Manufacturing, Inc. Fisher, IL 61843
www.design-mfg.net or Phone:217/897-1172