

SKIMMER FLOAT OPTION

PRODUCT INFORMATION BULLETIN #6681

- ◆ A Floating Skimmer box can be used where coolant levels fluctuate more than the range of a fixed mount skimmer box.
- ◆ A Floating Skimmer box can be used with the pump mounted on the box or with the pump connected to the box by a hose.
- ◆ A Skimmer Box can be converted to a Floating Skimmer Box without modifications if the existing box has two small holes on each side of the box.

Order Kit # 6682 (standard duty) or Kit 6682-XD (extreme duty)

- ◆ If the box doesn't have these holes, the holes will have to be drilled or a kit with a Skimmer Box can be ordered.

Order Kit # 3201F (standard duty) or Kit 3201F-XD (extreme duty)

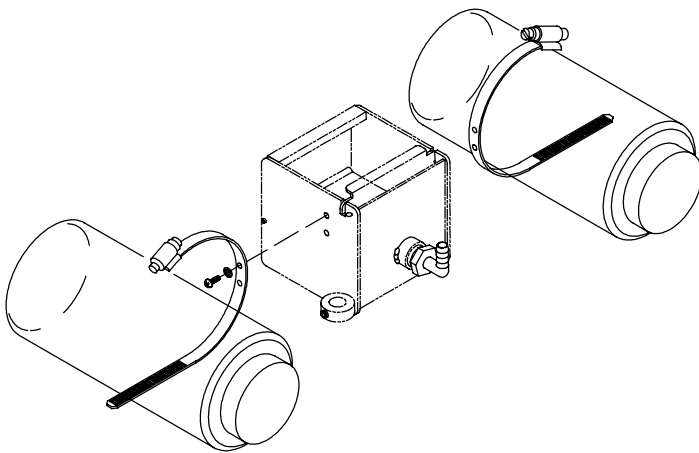


Figure 1

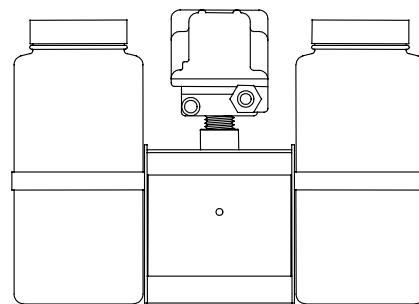
2. install the two Plastic Bottles, 32 oz. (part no. 3875) in the clamps and secure. (See Fig. 1)
3. Adjust the floats in the clamps (see Fig. 2) until the box remains level during use. Place the skimmer box and float assembly in the sump and adjust the tube from the box to the reservoir to allow for raising and lowering of the fluid level.

Note: The floats can be installed on shallow draft skimmer boxes only.

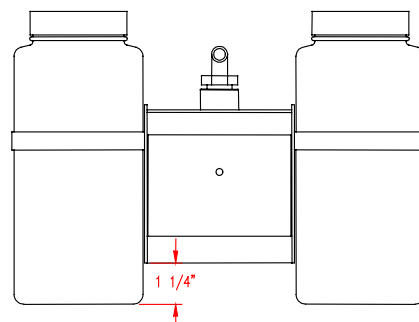
INSTALLATION

(Kits 6682 and 3201F)

1. Remove the box from the sump. Install two Float Clamps (part no. 3877) on the sides of the box using Screws, 6-32 x 3/8 Type F (part no. 6312) and Lockwashers, #6 Internal Tooth (part no. 1138)



POSITION FLOAT BOTTLES FLUSH WITH END OF BOX WHEN PUMP IS MOUNTED ON SKIMMER BOX.



POSITION FLOAT BOTTLES 1 1/4" FROM END OF BOX WHEN ELBOW IS USED ON SKIMMER BOX.

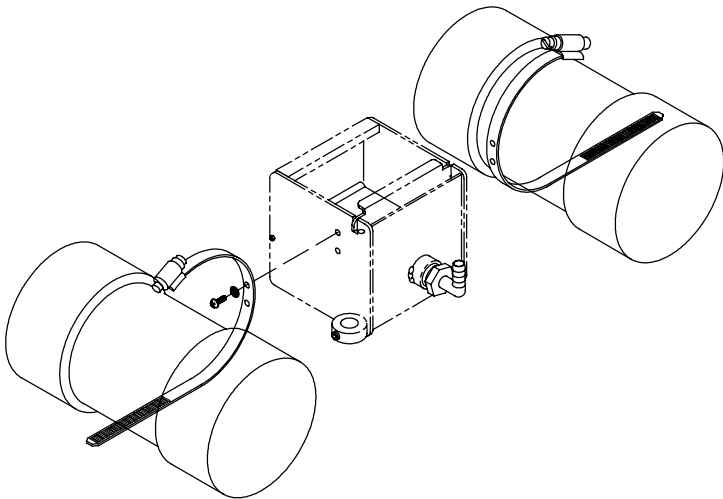


Figure 3

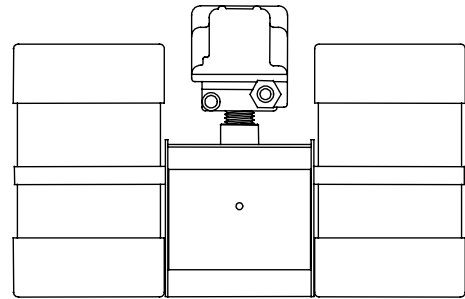
3. Adjust the floats in the clamps (see Fig. 4) until the box remains level during use. Place the skimmer box and float assembly in the sump and adjust the tube from the box to the reservoir to allow for raising and lowering of the fluid level.

Note: The floats can be installed on shallow draft skimmer boxes only.

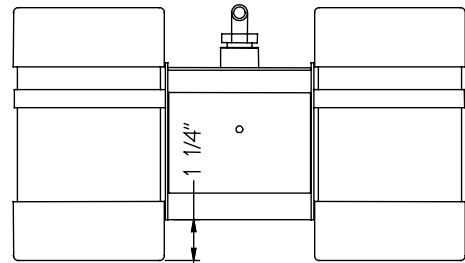
INSTALLATION

(Kits 6682-XD and 3201F-XD)

1. Remove the box from the sump. Install two Float Clamps Modified (part no. 6916) on the sides of the box using Screws, 6-32 x 3/8 Type F (part no. 6312) and Lockwashers, #6 Internal Tooth (part no. 1138)
2. Install the two Skimmer Float Tube Assemblies (part no. 6918) in the clamps and secure. (See Fig. 3)



POSITION FLOATS FLUSH WITH END OF BOX WHEN PUMP IS MOUNTED ON SKIMMER BOX



POSITION FLOATS 1 1/4" FROM END OF BOX WHEN ELBOW IS USED ON SKIMMER BOX

Figure 4

Manufactured in U.S.A by: Design & Manufacturing, Inc. Fisher, IL 61843
www.design-mfg.net or Phone (217) 897-1172